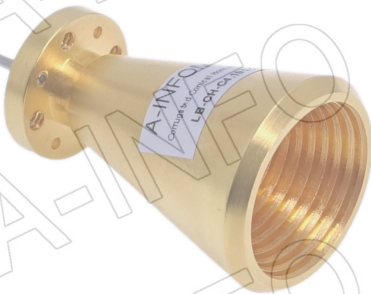


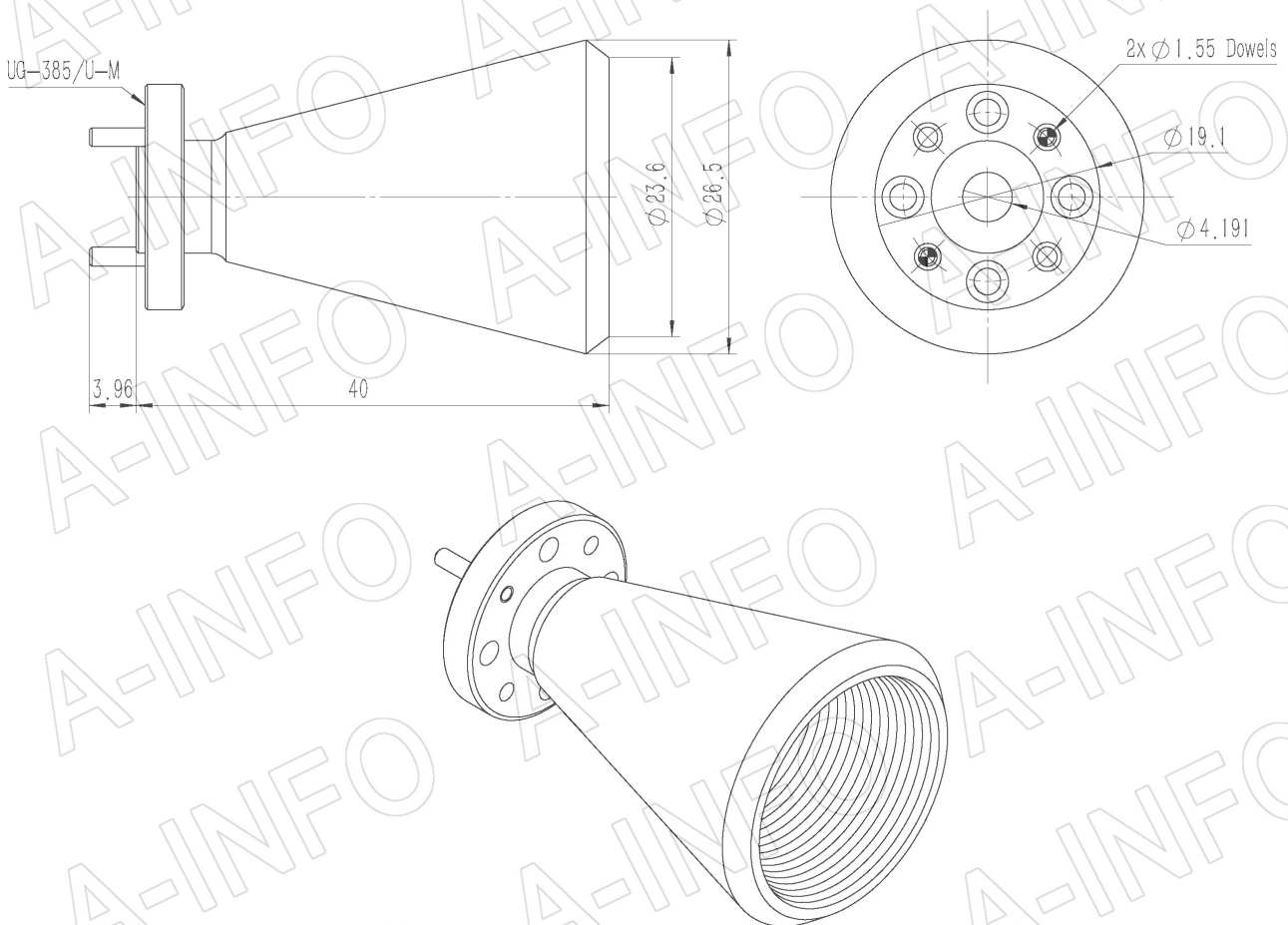
For reference only. See data sheet for the detailed specifications.

Technical Specification

Frequency Range(GHz)	50.0 - 58.0
Circular WG Size	4.191mm / 0.165"
Gain(dBi)	20 Typ.
Polarization	Linear and Circular
3dB Beamwidth(deg)	E Plane: 22 Typ.
	H Plane: 21 Typ.
Cross Pol. Isolation(dB)	40 Typ.
VSWR	1.25:1 Typ.
Output	UG-385/U-M
Material	Cu
Finish	Gold Plated
Size(mm)	26.5 x 26.5 x 40
Net Weight(Kg)	0.05 Around



Outline Drawing (Size: mm)



AINFO Inc.

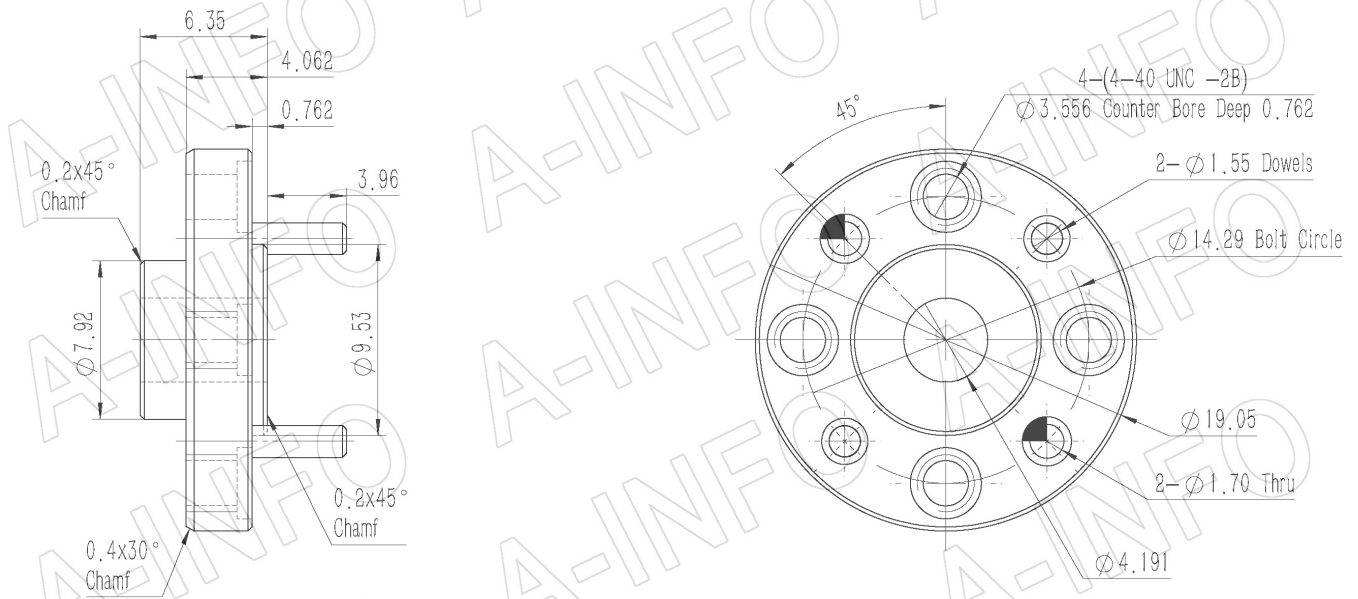
China(Beijing): Tel: (+86) 10-6266-7326,
 China(Chengdu): Tel: (+86) 28-8519-2786,
 USA : Tel: (+1) 949-639-9688,

Page 1 of 7

(+86) 10-6266-7327 Fax: (+86) 10-6266-7379
 (+86) 28-8519-3044 Fax: (+86) 28-8519-3068
 (+1) 949-639-9608 Fax: (+1) 949-639-9670

Website: www.ainfoinc.com
 Email: sales@ainfoinc.com

Flange Drawing (Size: mm)



UG-385/U-M

AINFO Inc.

China(Beijing): Tel: (+86) 10-6266-7326,
 China(Chengdu): Tel: (+86) 28-8519-2786,
 USA: Tel: (+1) 949-639-9688,

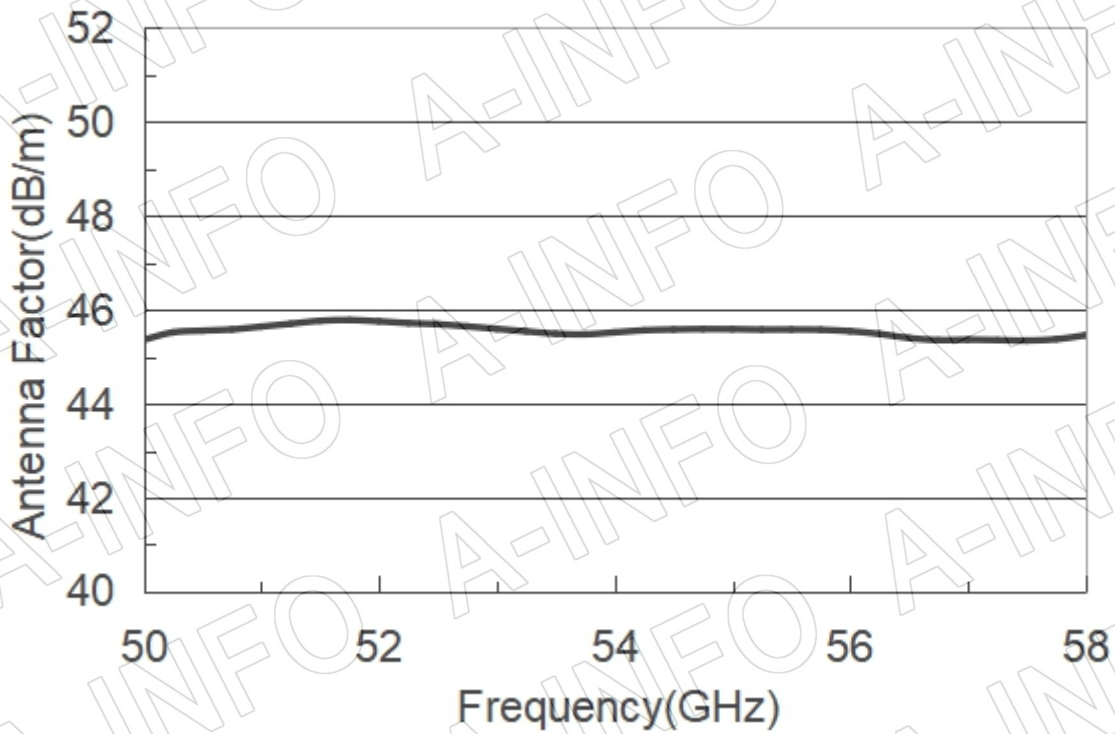
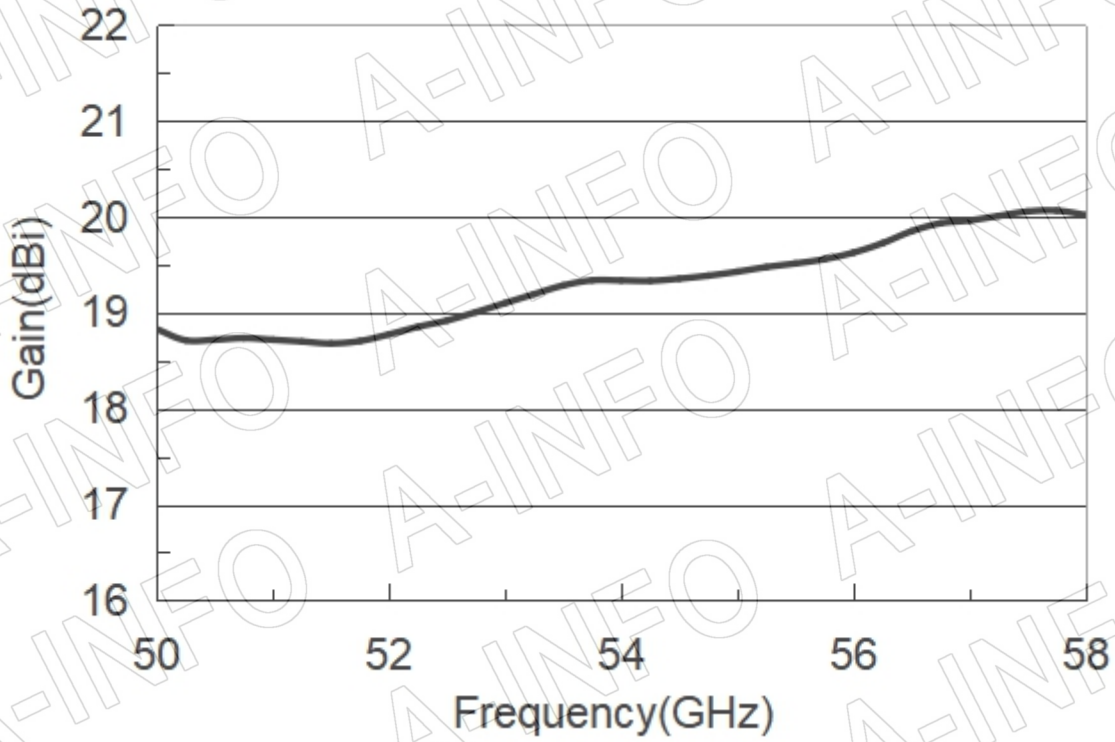
Page 2 of 7

(+86) 10-6266-7327 Fax: (+86) 10-6266-7379
 (+86) 28-8519-3044 Fax: (+86) 28-8519-3068
 (+1) 949-639-9608 Fax: (+1) 949-639-9670

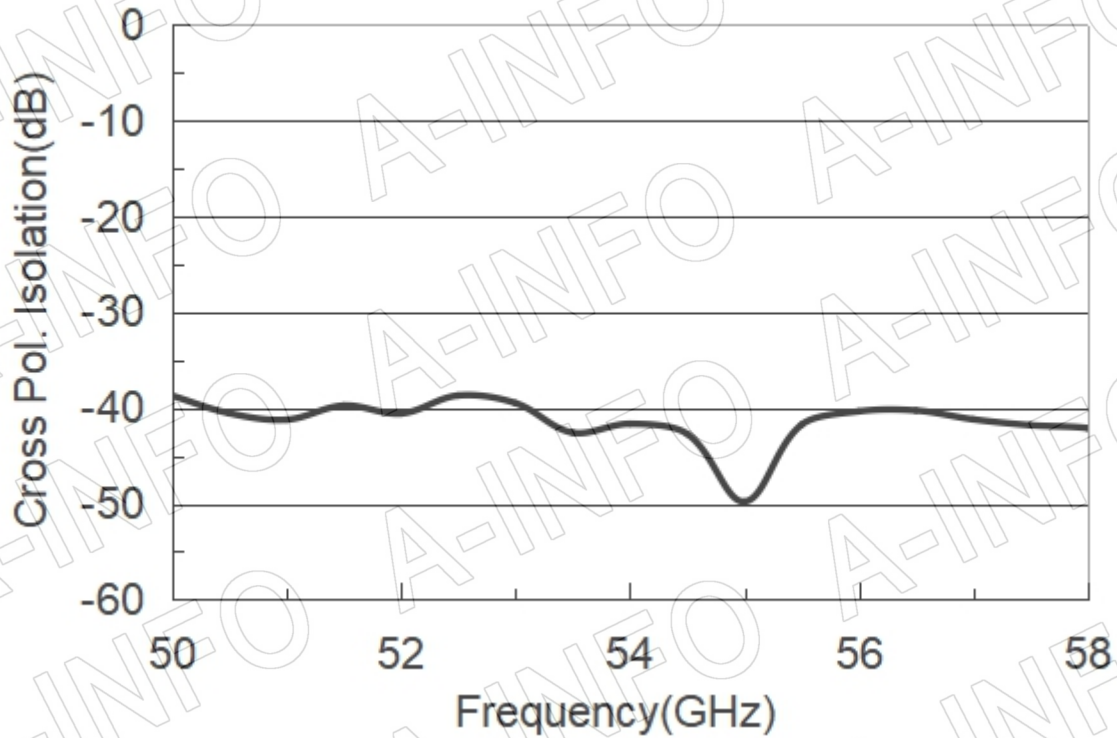
Website: www.ainfoinc.com
 Email: sales@ainfoinc.com

Test Results (Including circular to rectangular transition)

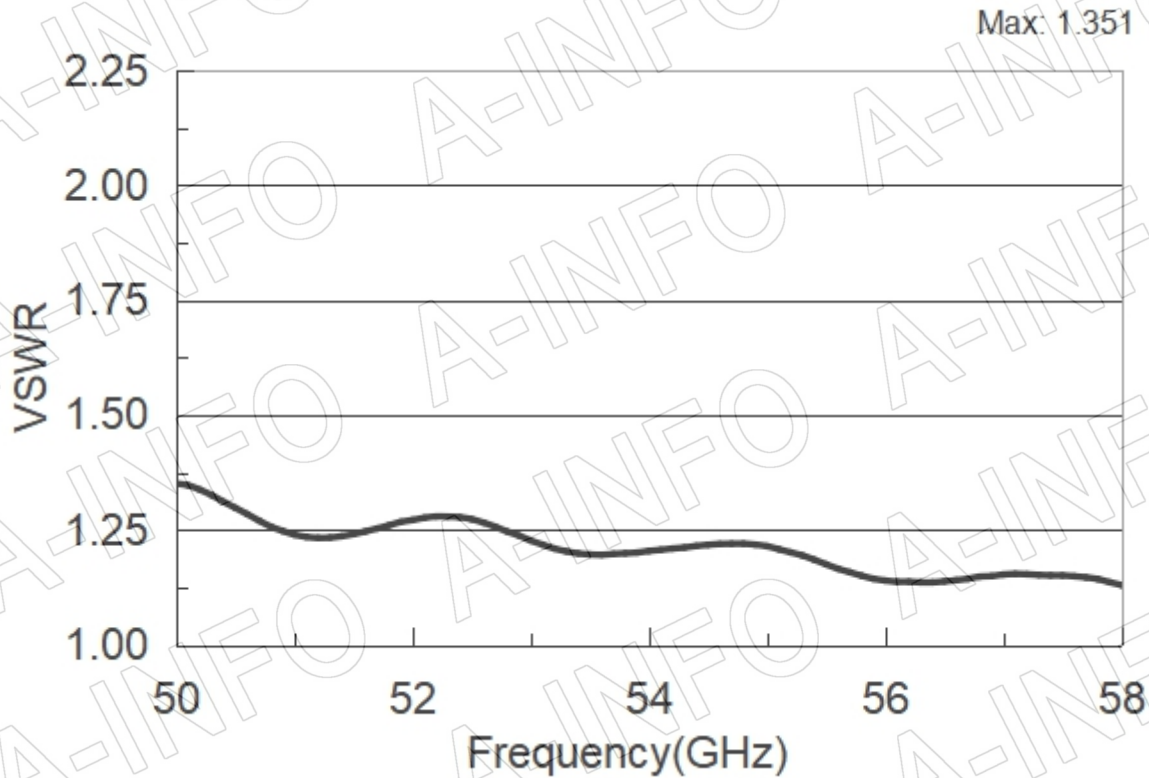
1. Gain & Antenna Factor



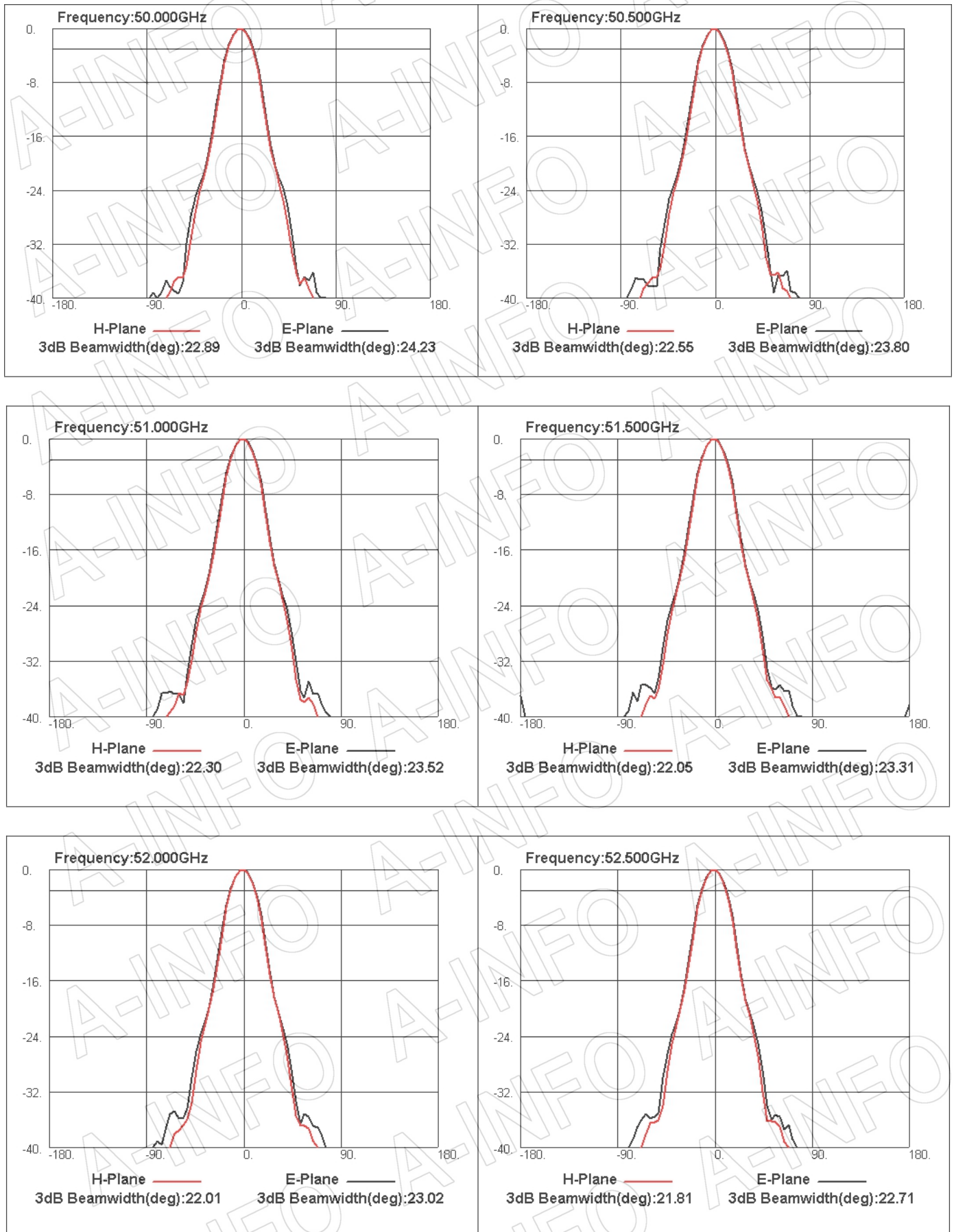
2. Cross Polarization Isolation



3. VSWR



4. Pattern



AINFO Inc.

China(Beijing):
China(Chengdu):
USA :

Tel: (+86) 10-6266-7326,
Tel: (+86) 28-8519-2786,
Tel: (+1) 949-639-9688,

(+86) 10-6266-7327
(+86) 28-8519-3044
(+1) 949-639-9608

Fax: (+86) 10-6266-7379
Fax: (+86) 28-8519-3068
Fax: (+1) 949-639-9670

Website: www.ainfoinc.com
Email: sales@ainfoinc.com

